

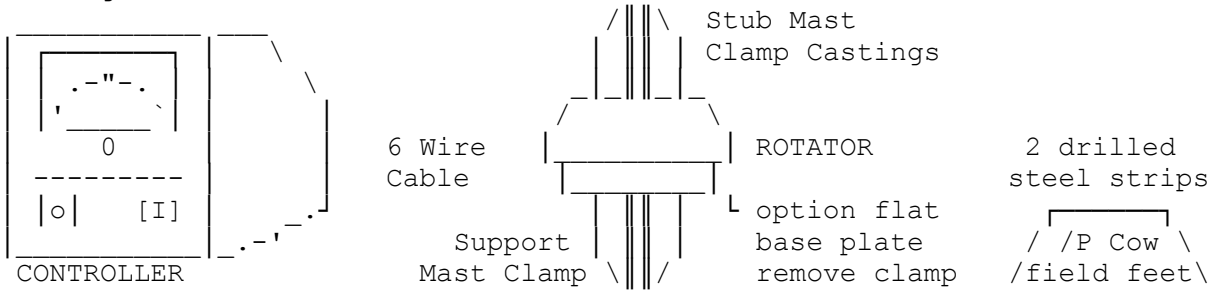
Rotator Alinco info

By G8MNY

(updated Aug 17)

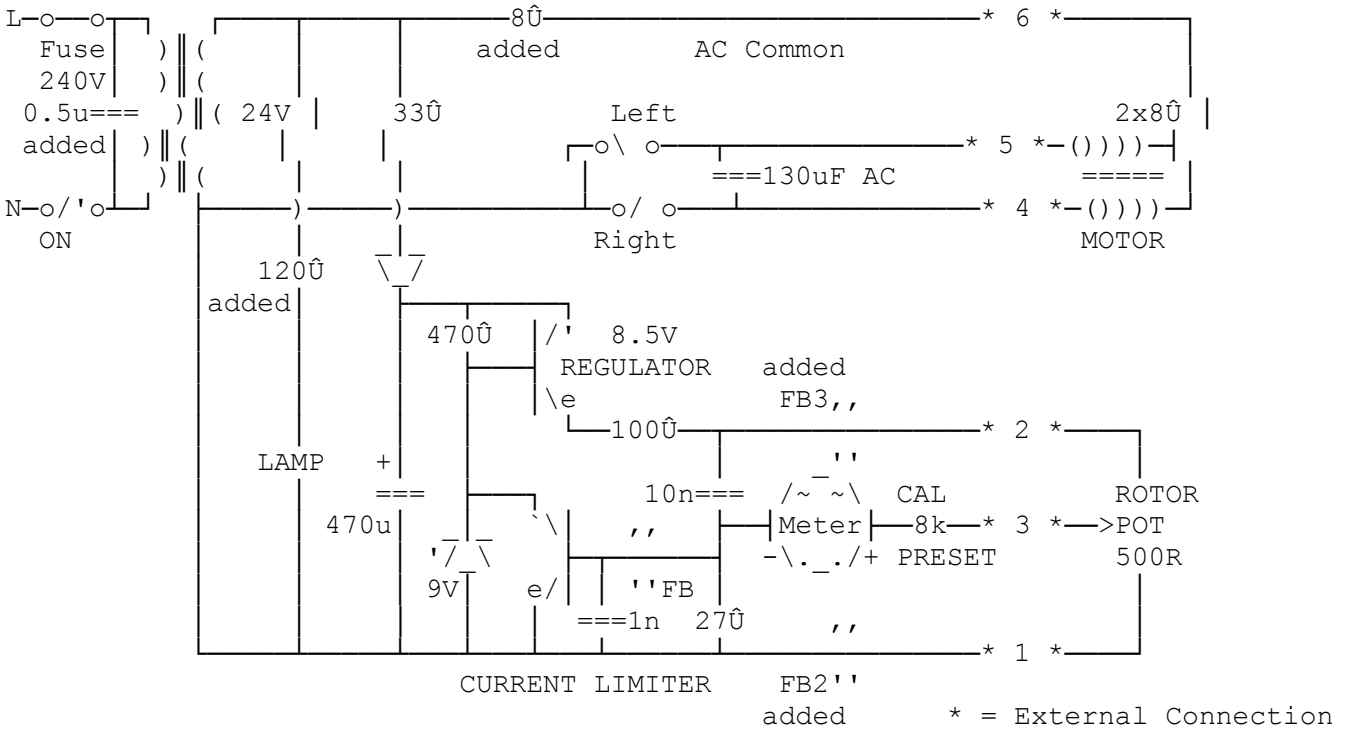
(8 Bit ASCII graphics use code page 437 or 850, Terminal Font)

This is basic & reliable rotator with manual switch controls & regulated meter heading readout.



For /P use cow field feet strips, then a 66ft mast can be put on top of it with a 3el HF TH33 & 5el 6m beam etc, without the rotator spinning on the ground.

DIAGRAM



N.B. *1* to *6* = 24V AC could be useful for things!

The circuit could have been wired to use only 5 wires if the switch feed & AC common were reversed, making 1 the new AC common to the motor, as well as the pot earth.

MODS

1/ As with most rotators the motor is well over run, so if high usage (eg. more than 2 mins) is needed, then add a high wattage low value R (eg. 8Ω 10W) in series with the motor common (*6*). This will increase motor run time before it overheats, without significantly reducing the available torque.

2/ Under running the lamp with 120R in series will increase its life. Silver foil the meter sides, & paint the top of the lamp white, this makes the lamp as bright as before & with less shadows.

- 3/ Also a 0u5 250V AC Cap across the mains will correct the transformer's power factor for /P operation (but not the motor run PF!).
- 4/ QRO on lower HF bands gets into the current limit transistor & reduces the meter reading, as a single FB on the base is not enough. FB2 has 5 turns & is in the cut PCB track. FB3 is just on the lead.

Why Don't U send an interesting Bul?

73 de John G8MNY @ GB7CIP