

Subject: Mic Preamps

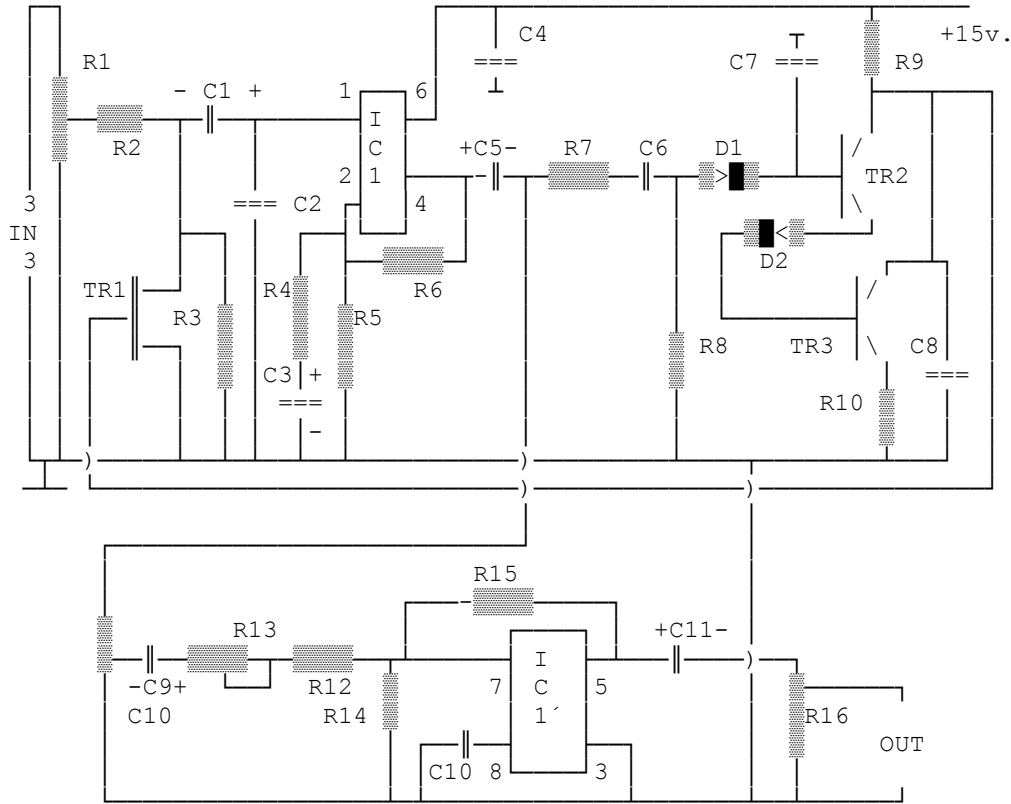
From: G8MNY@GB7CIP.#32.GBR.EU

To : TECH@WW

From: F5PBG@F5PBG.FBRE.FRA.EU

(redrawn Dec 04)

SPEECH PREAMPLIFIER COMPRESSOR



- | | |
|----------------------|-----------------------------|
| R1= trimmer 500 K. | C1= 2.5 uF 16v elect. |
| R2= 100 K. | C2= 100 pF. |
| R3= 1 M. | C3,C5,C11= 5 uF. 64v elect. |
| R4= 2,2 M. | C4= 100.000 pF. |
| R5= 27 K. | C6= 47.000 pF. |
| R6= 120 K. | C7= 27 pF. |
| R7= 47 Ohm. | C8= 1 uF. 40v elect. |
| R8= 47 K. | C9= 4,7 uF 16v elect. |
| R9= 2,2 M. | C10= 100.000 pF. |
| R10= 270 Ohm. | TR1= 2N3820 |
| R11= trimmer 100 K. | TR2 TR3= 2N1711 MC140 |
| R12= 22 K. | D1 D2= 1N914 1N4148 |
| R13= trimmer 50 K. | IC1= LM387 |
| R14= 100 K. | |
| R15= 470 K. | |
| R16= Pot. lin. 50 K. | |

73's de Ludovic. e-mail: radioham@chez.com

 This preamp has high gain, but should have a flat response 300-3K..

Why Don't U send an interesting Bul?

73 De John, G8MNY @ GB7CIP
/EX